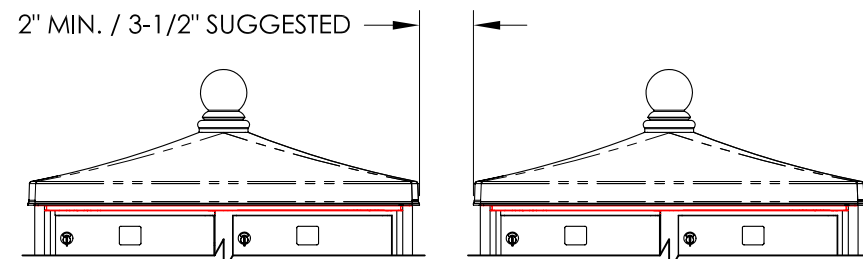
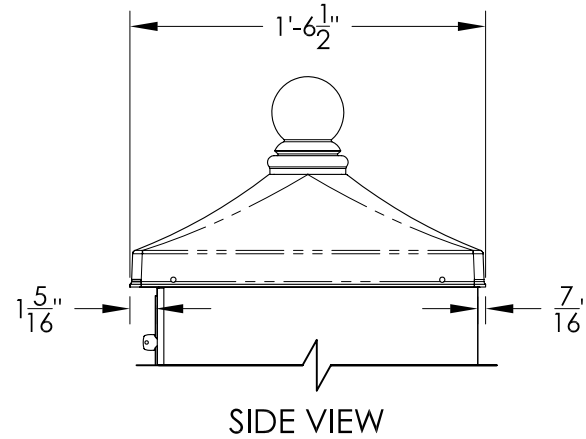
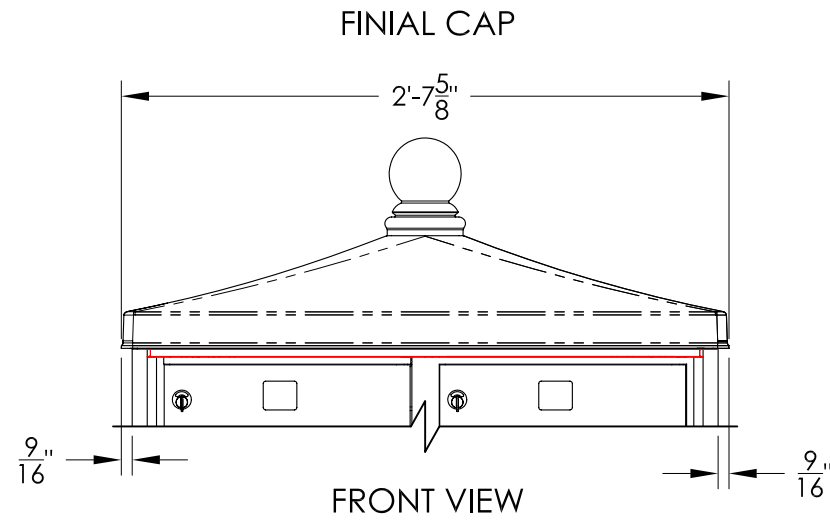
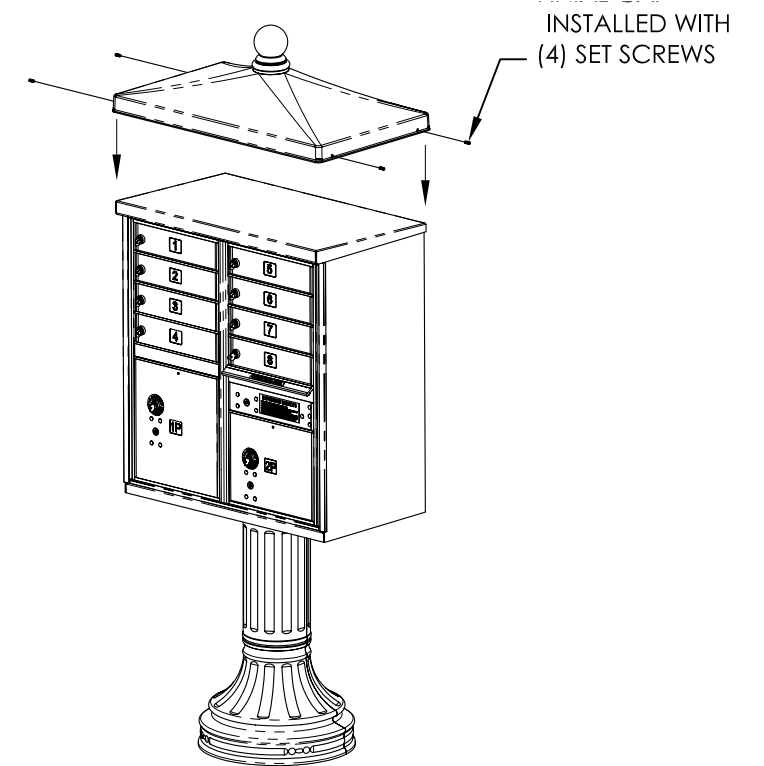
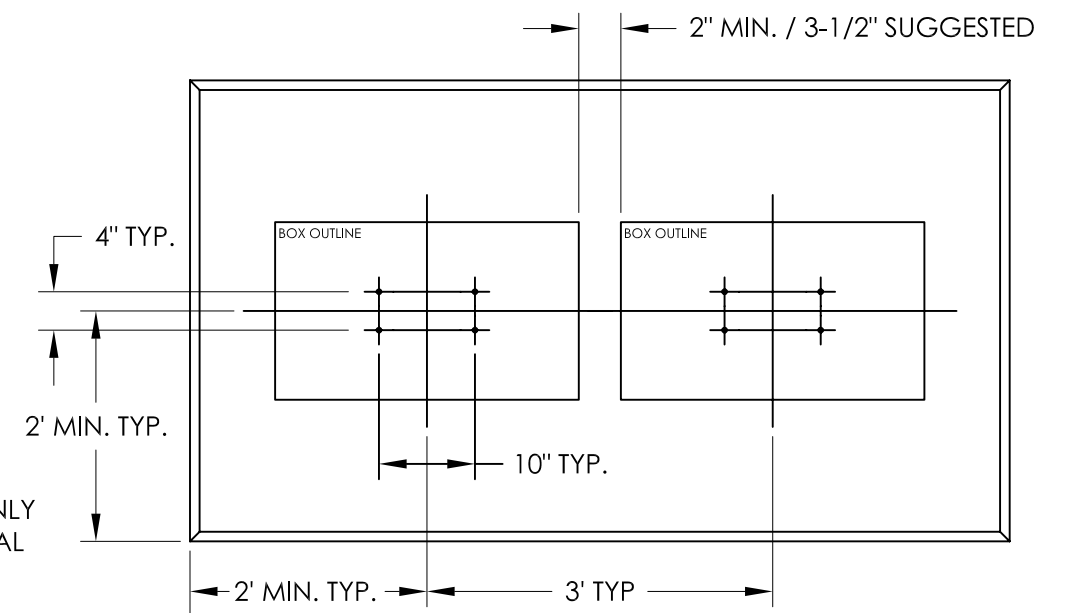
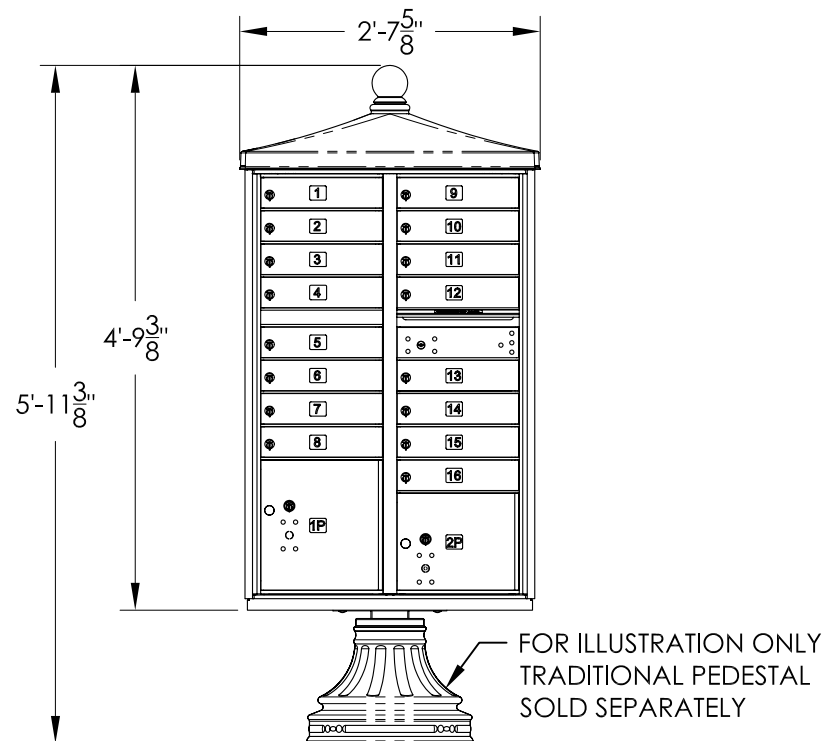
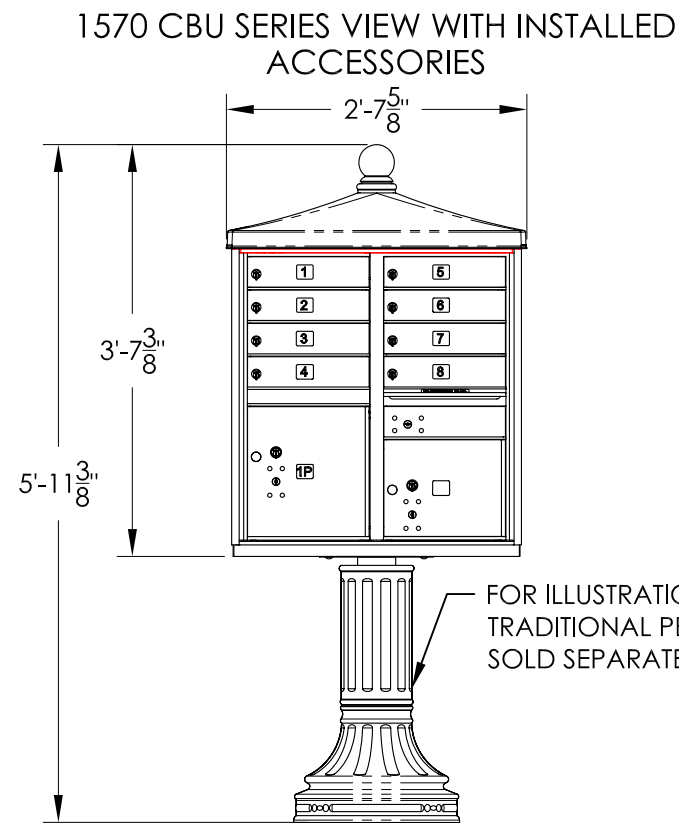


MULTI-UNITS PAD SPECIFICATION



IMPORTANT CLEARANCE SPEC
SEE **MULTI UNIT PAD SPECIFICATION**
FOR BOLT PATTERN AND SPACING



NOTES:

1. FINIAL CAP DESIGN REQUIRES ADDITIONAL SPACE BETWEEN CBUs. FOR MULTIPLE CBU INSTALLATIONS. SEE IMPORTANT CLEARANCE SPEC ABOVE.
2. CAP AND PEDESTAL COVER SOLD SEPARATELY.
3. FINIAL CAP AVAILABLE IN ALL STANDARD CBU POWDER COAT FINISHES.
4. FINIAL INSTALLED USING (4) SET SCREWS. HARDWARE INCLUDED.
5. FINIAL CAP DESIGNED TO FIT OVER FLORENCE 1570 SERIES CBU.

PRODUCT SERIES: VOGUE™ CBU ACCESSORIES FINIAL CAP

AF FLORENCE
manufacturing company

5935 Corporate Drive • Manhattan, KS 66503
www.florencemailboxes.com • (800) 275-1747

A GIBRALTAR INDUSTRIES COMPANY

MODEL FINIAL CAP		REV
SCALE NONE	LAST REV DATE 4/1/2010	
DRAWING NUMBER VOGUECAM	DRAWN BY AFD	SHEET 1 OF 1