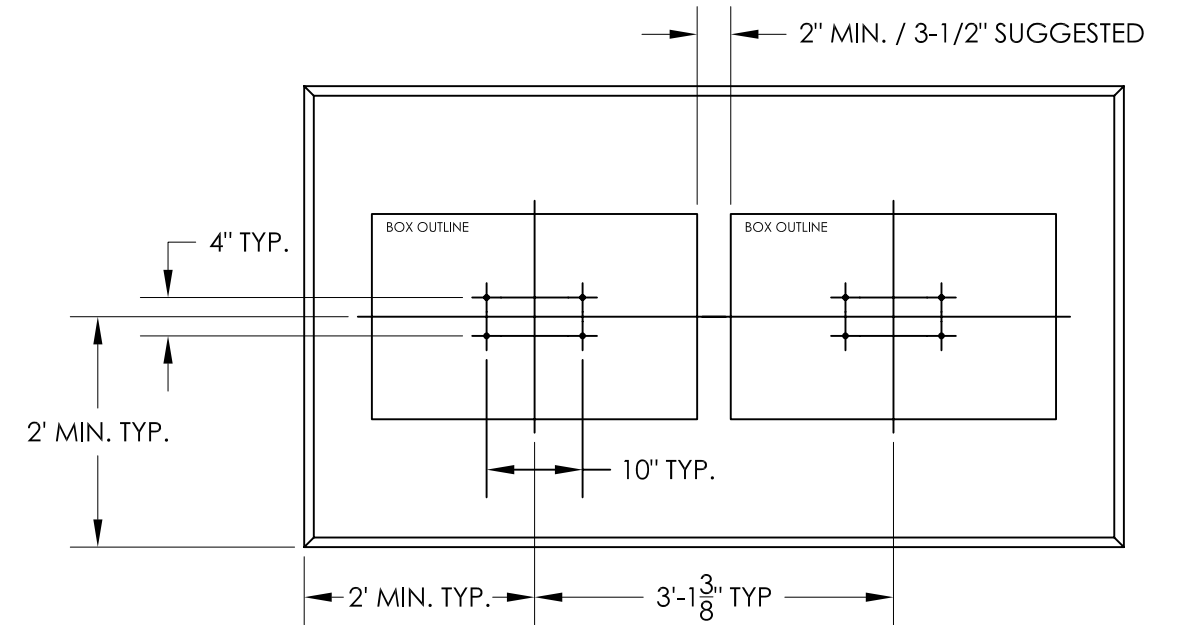
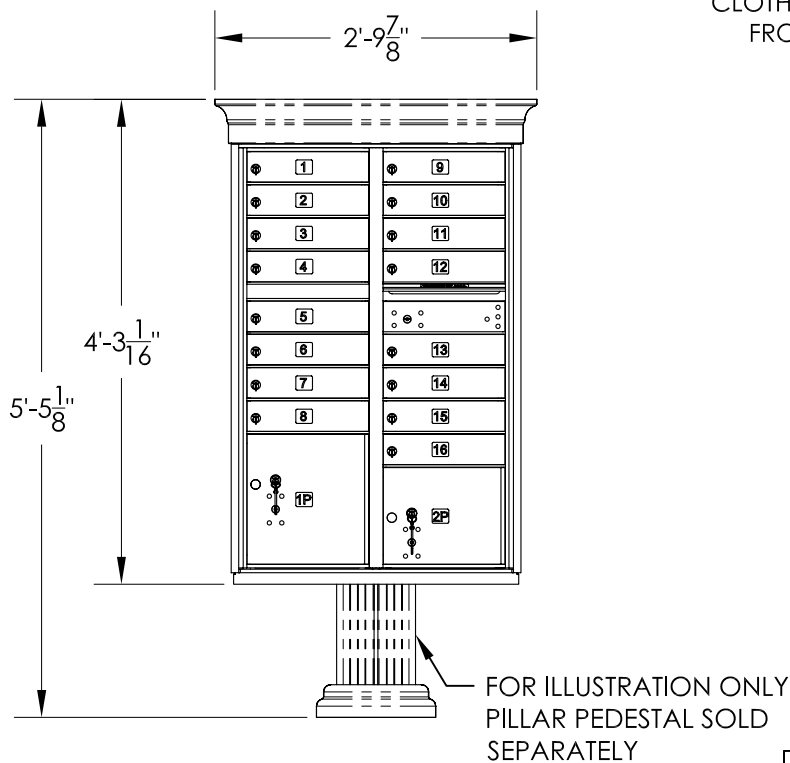
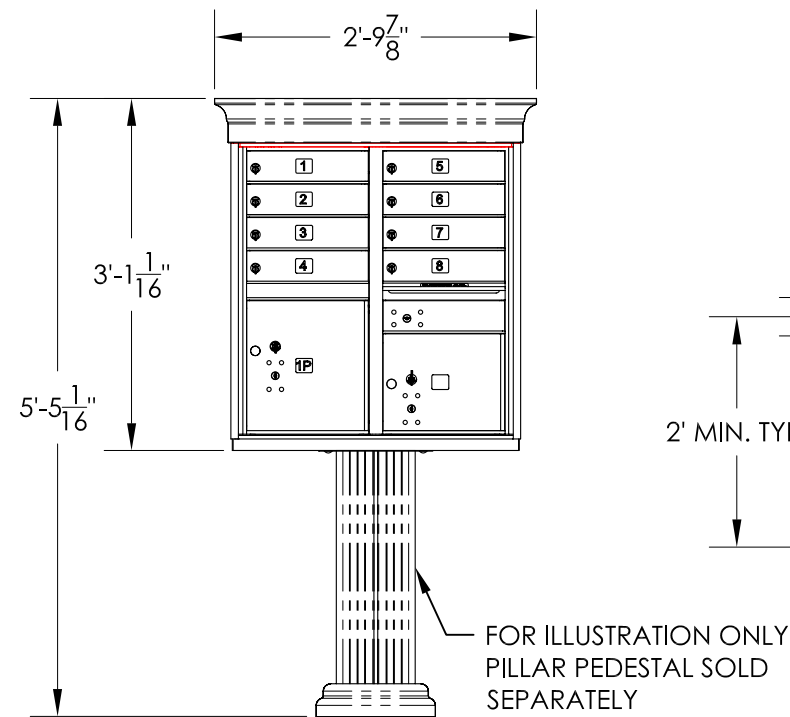


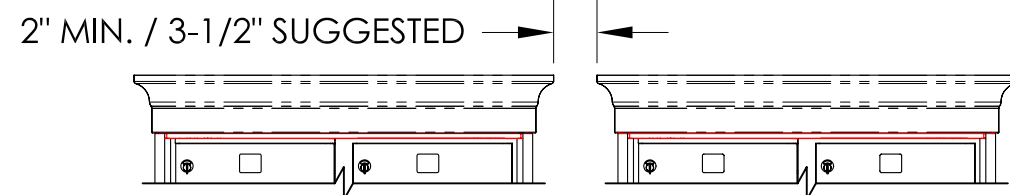
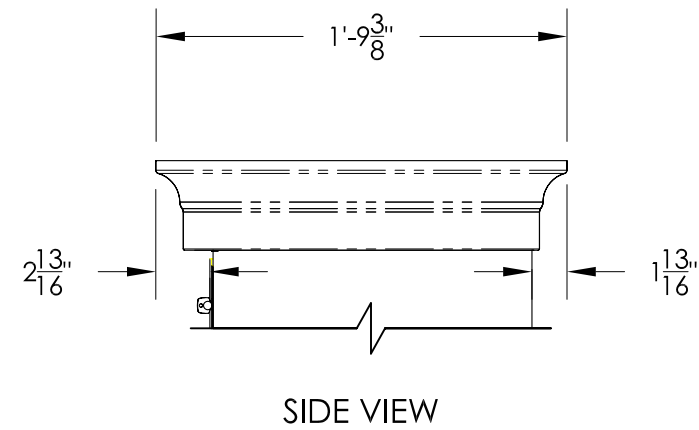
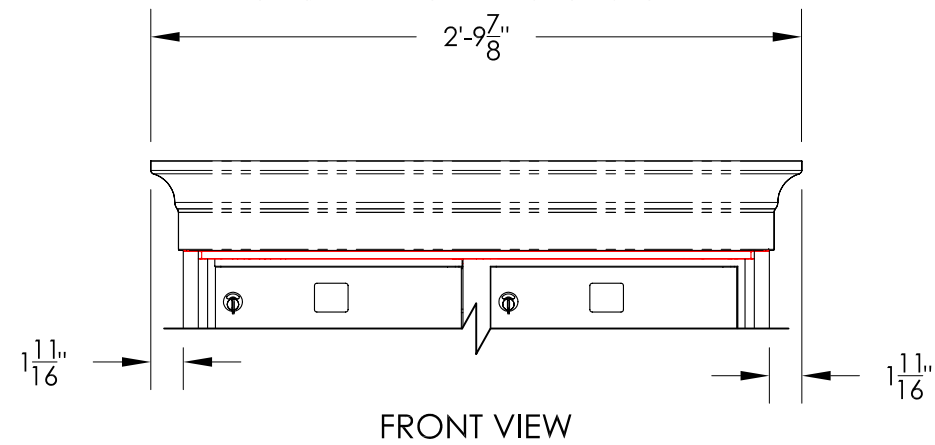
## MULTI-UNITS PAD SPECIFICATION



## 1570 CBU SERIES VIEW WITH INSTALLED ACCESSORIES

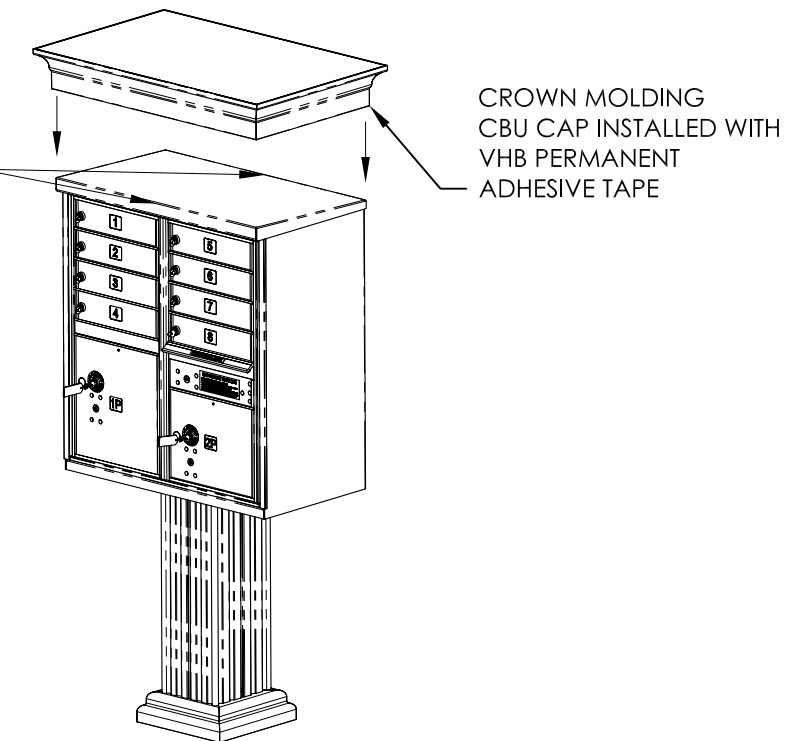


## CROWN MOLDING CBU CAP



IMPORTANT CLEARANCE SPEC  
SEE **MULTI UNIT PAD SPECIFICATION**  
FOR BOLT PATTERN AND SPACING

CLEAN COMPLETE UPPER  
SURFACES WITH A DAMP  
CLOTH THEN WIPE DOWN  
FRONT AND REAR TOP  
EDGES WITH  
ALCOHOL PAD



### NOTES:

1. CROWN MOLDING CAP DESIGN REQUIRES ADDITIONAL SPACE BETWEEN CBUs FOR MULTIPLE CBU INSTALLATIONS. SEE IMPORTANT CLEARANCE SPEC ABOVE.
2. CAP AND PEDESTAL COVER SOLD SEPARATELY.
3. CROWN MOLDING CAP AVAILABLE IN ALL STANDARD CBU POWDER COAT FINISHES.
4. CAP INSTALLED USING PERMANENT VHB ADHESIVE TAPE. NO HARDWARE NECESSARY.
5. CROWN MOLDING CAP DESIGNED TO FIT OVER FLORENCE 1570 SERIES CBU.

PRODUCT SERIES: VOGUE™ CBU ACCESSORIES

**AF FLORENCE**  
manufacturing company  
5935 Corporate Drive • Manhattan, KS 66503  
www.auth-florence.com • (800) 275-1747  
A GIBRALTAR INDUSTRIES COMPANY

MODEL	CROWN MOLDING CAP	REV	-
SCALE	NONE	DATE	1/1/2008
DRAWING NUMBER	VOGUEC1CS	DRAWN BY	AFD
		SHEET	1 OF 1