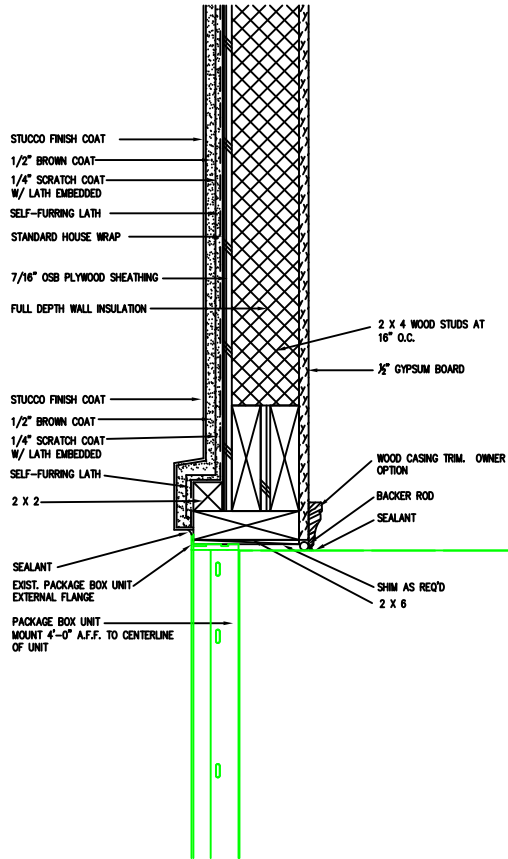
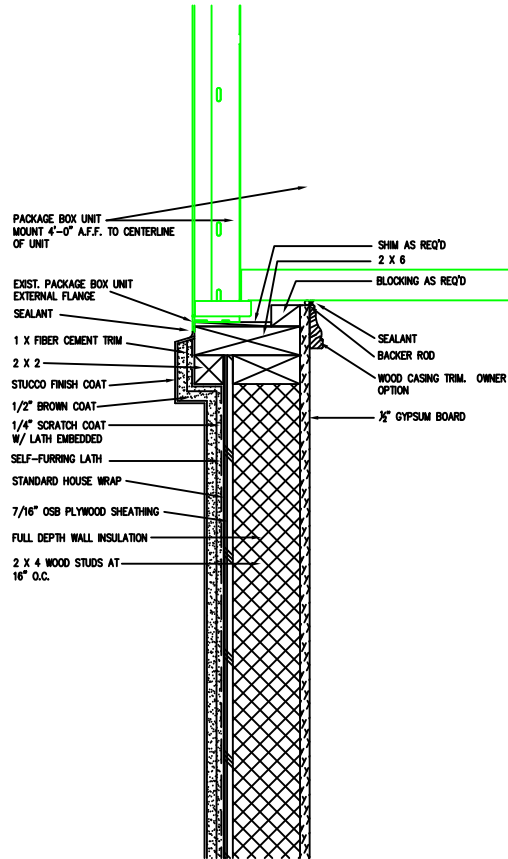


Package Protector™ PRO INSTALLATION DETAILS

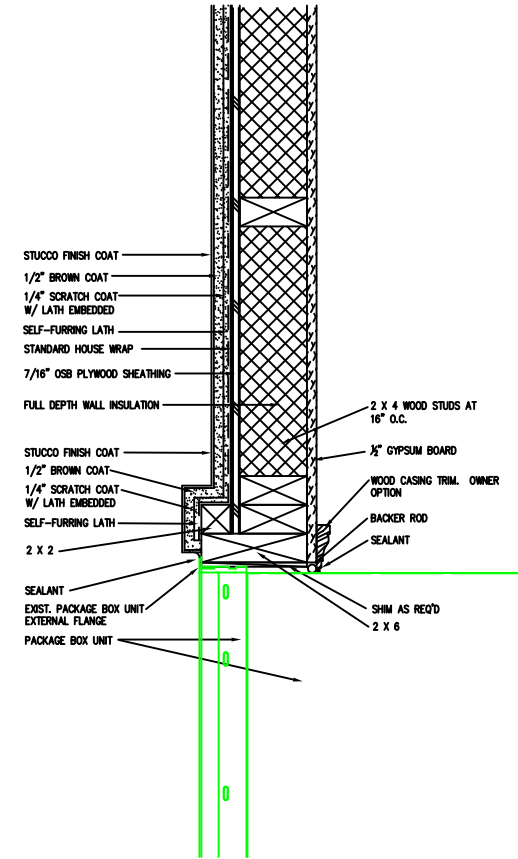
WOOD FRAMED, STUCCO



HEAD DETAIL



SILL DETAIL



JAMB DETAIL

NOTES:

Please refer to the Package Protector™ PRO Installation Guide for a complete set of installation instructions

PRODUCT SERIES: Package Protector™ PRO
Carrier Neutral Package Receptacle

FLORENCE
CORPORATION

5935 Corporate Drive • Manhattan, KS 66503
800.275.1747 • www.florencemailboxes.com

MODEL	MPC1	REV	B
SCALE	NONE	LAST REV DATE	6/10/2020
DRAWING NUMBER	MPC1WSCS	DRAWN BY	NBC