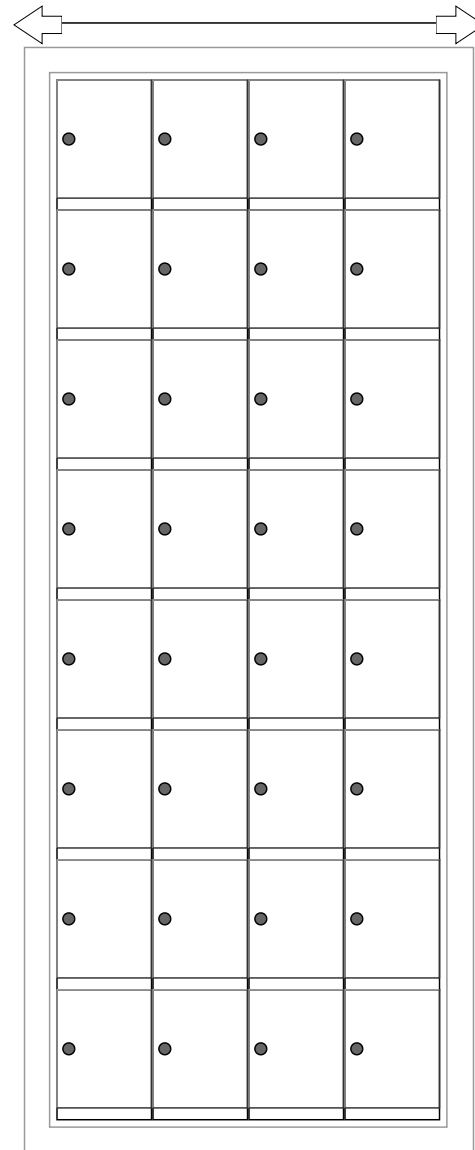


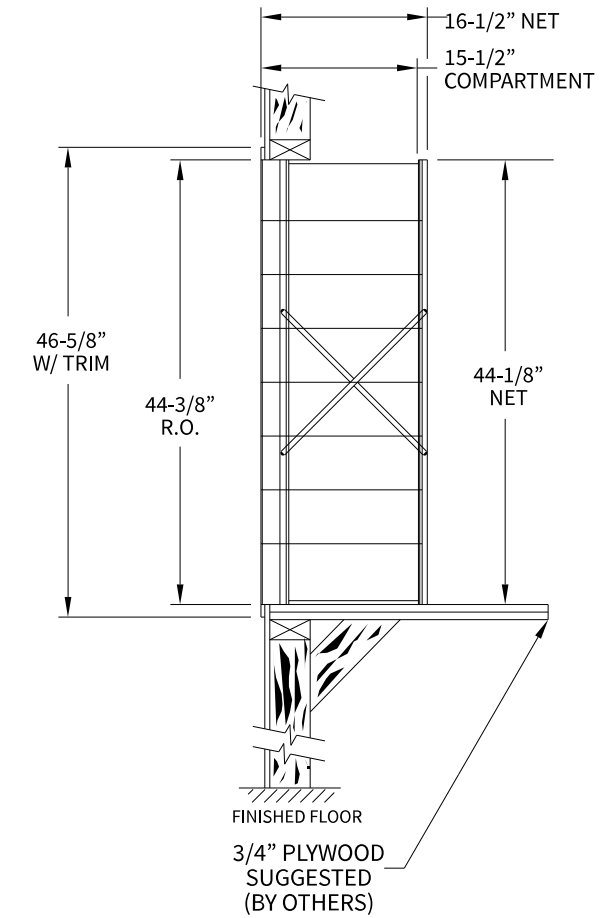
**170084 Dimensions**

Overall Width w/ Trim: 20-5/16"  
(Rough Opening: 18-1/16")



170084

**Side View**



**Configuration Details:**

- 1. **Product Type:** 1700 Horizontal
- 2. **Installation:** Rear-load, Recessed Mount
- 3. **Finish:** Anodized Aluminum
- 4. **Locks:** Standard Cam Lock, 2 keys
- 5. **Door Id:** tbd
- 6. **Rear Cover:** tbd

Matching standard snap-on trim included

**Models Used:**

(1) 170084

**DO NOT SCALE OFF DRAWING**

**Door Sizes Used:**

(32) 1700 1x1 Compartment

**ELEVATION:** 170084 | **MAILBOXES:** 32 |

**PROJECT NAME:** 1700 Series Mailbox | **DRAWN BY:** FLORENCE



5935 Corporate Drive • Manhattan, KS 66503  
www.florencemailboxes.com • 800.275.1747

A GIBRALTAR INDUSTRIES COMPANY

<b>DATE:</b> 01-15-2016	<b>P.O. NO:</b>
<b>SCALE:</b> NONE	<b>QUOTE NO:</b>
<b>DRAWING NO.</b> WEB-1932	<b>SHEET 1 OF 1</b>