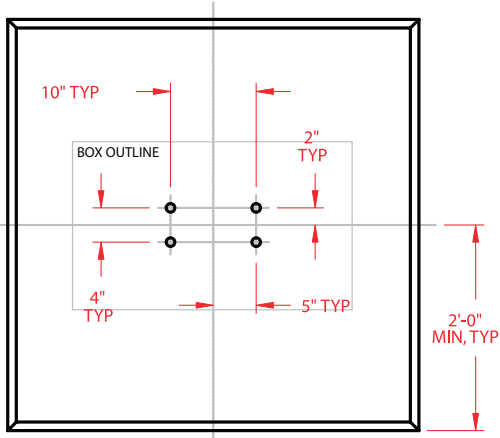
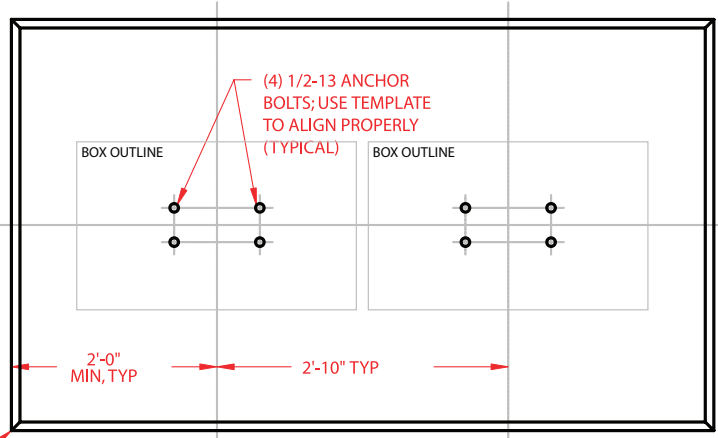


SINGLE UNIT



MULTI-UNIT



CHAMFER ALL EDGES IN LANDSCAPE AREAS. TOOL FLUSH WITH ADJOINING SURFACES IN PAVED AREAS.

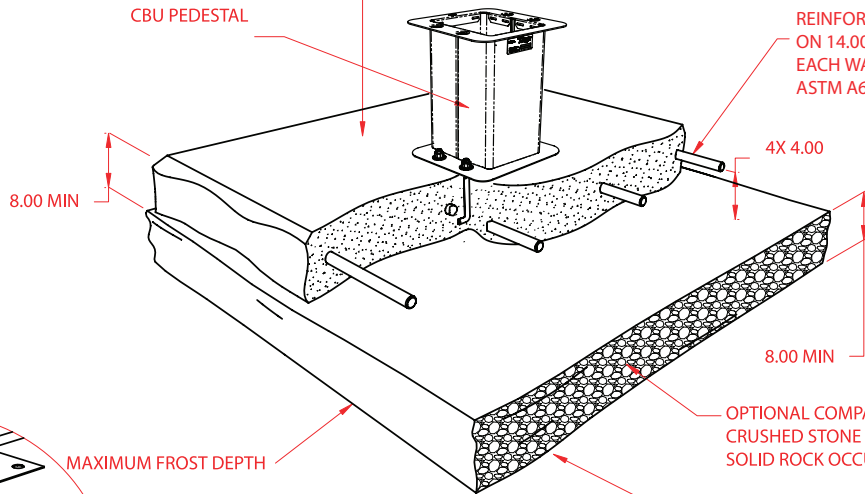
ARRANGE MULTIPLE ANCHOR BOLT SETS AS REQUIRED; BASE NOT TO EXCEED 16'-0"

NOTE:
CONCRETE SHALL HAVE A COMPRESSIVE STRENGTH OF 3000 PSI @ 28 DAYS, CONTAIN 4% MIN ~ 6% MAX AIR ENTRAPMENT AND BE PLACED WITH A 3.50 ~ 4.50 SLUMP IN ACCORDANCE TO 301.

CBU PEDESTAL

MATCH EXISTING GRADE IN PAVED AREAS

REINFORCING STEEL RODS ON 14.00" CENTERS MAXIMUM EACH WAY (CONFORMING TO ASTM A615 GRADE 60)



MAXIMUM FROST DEPTH

OPTIONAL COMPACT GRAVEL OR CRUSHED STONE (OMIT WHERE SOLID ROCK OCCURS)

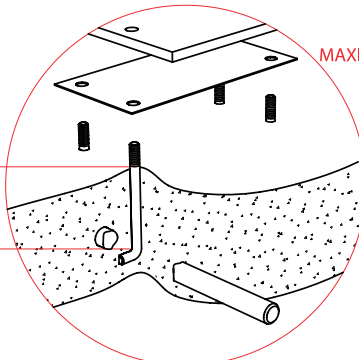
FIRM UNDISTURBED SOIL OR WELL-COMPACTED FILL

SLOPE SURFACE 0.25 INCH PER FOOT ON ALL SIDES FOR DRAINAGE

MOUNTING NUT/WASHER (NOT INCLUDED)

BUTYL RUBBER PAD

4X .50 DIA ANCHOR BOLTS (CONFORMING TO ASTM A193, GRADE B8M TYPE 316 STAINLESS STEEL, NOT INCLUDED)



(CUTAWAY VIEW OF BAR SHOWN)

BROOM FINISH

3.00

SITE PREPARATION AND PEDESTAL INSTALLATION
HIGH SECURITY METAL CBU TYPES I, II, III, AND IV
1565 "REV 4" SERIES