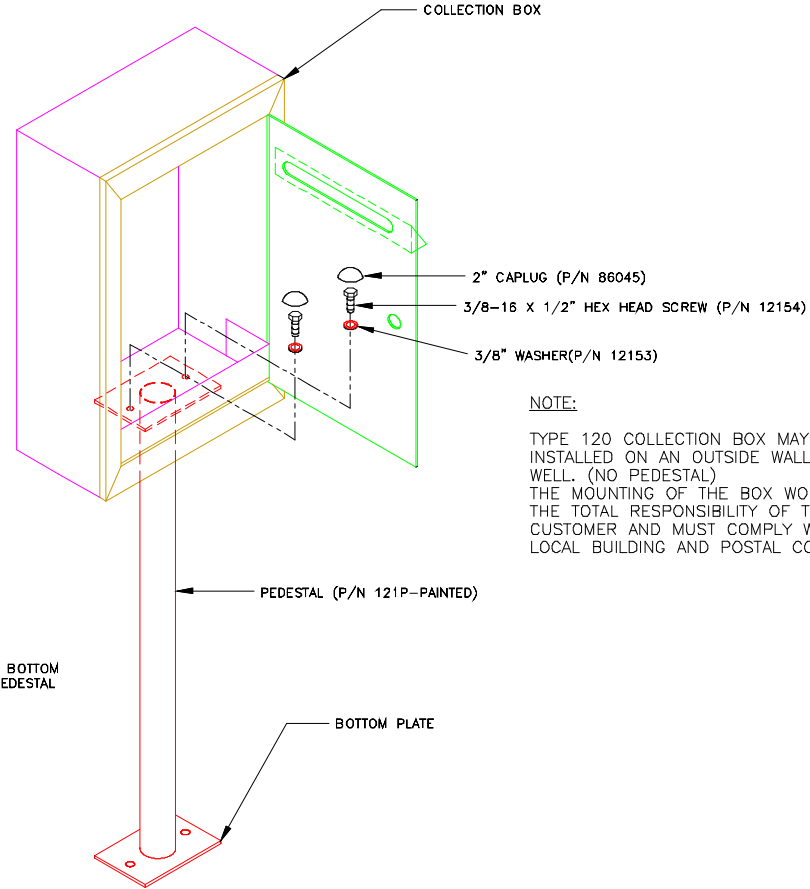


INSTALLATION INSTRUCTIONS FOR 120 TYPE COLLECTION BOX W/PEDESTAL

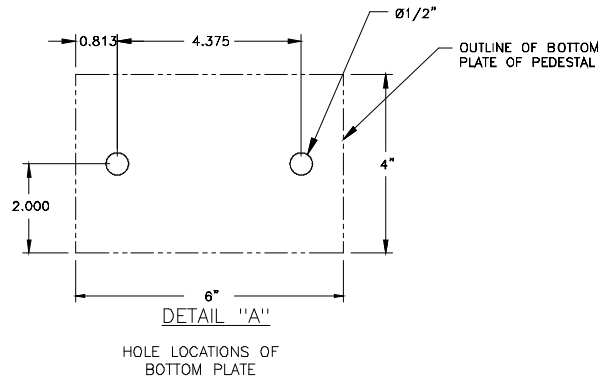
INSTALLATION NOTES:

1. MARK HOLE LOCATIONS ON PEDESTAL MOUNTING SURFACE (CONCRETE, WOOD, ETC) IN ACCORDANCE WITH DETAIL "A"
2. MOUNT PEDESTAL ONTO MOUNTING SURFACE (CUSTOMER RESPONSIBLE FOR MOUNTING OF PEDESTAL)
3. AFTER PEDESTAL IS INSTALLED AND SECURE, PLACE THE BOX ON TOP OF THE PEDESTAL, LINING UP THE HOLES IN THE BOTTOM OF THE BOX WITH THE HOLES IN THE TOP PLATE OF THE PEDESTAL. (NOTE: IF THERE ARE NO HOLES IN THE BOTTOM OF THE BOX, CENTER THE BOX ON TOP OF THE PEDESTAL TOP PLATE, MARK THE LOCATION OF THE HOLES ON THE BOTTOM OF THE BOX, TURN THE BOX UPSIDE DOWN AND DRILL (2) 7/16" HOLES IN THE BOTTOM OF THE BOX.
4. WITH THE BOX ON TOP OF THE PEDESTAL AND THE HOLES LINED UP, PLACE (2) 3/8"-16 HEX BOLTS THROUGH THE BOTTOM OF THE BOX AND INTO THE THREADED HOLES IN THE TOP PLATE.
5. TIGHTEN BOLTS UNTIL BOX IS SECURE.
6. NOW PLACE THE 2" CAPPLUGS OVER EACH BOLT HEAD TO COMPLETE THE INSTALLATION OF THE BOX.



NOTE:

TYPE 120 COLLECTION BOX MAY BE INSTALLED ON AN OUTSIDE WALL AS WELL. (NO PEDESTAL)
THE MOUNTING OF THE BOX WOULD BE THE TOTAL RESPONSIBILITY OF THE CUSTOMER AND MUST COMPLY WITH ANY LOCAL BUILDING AND POSTAL CODES.



AUTH AF FLORENCE
MANUFACTURING COMPANY
6936 CORPORATE DRIVE
MANHATTAN KANSAS 66603