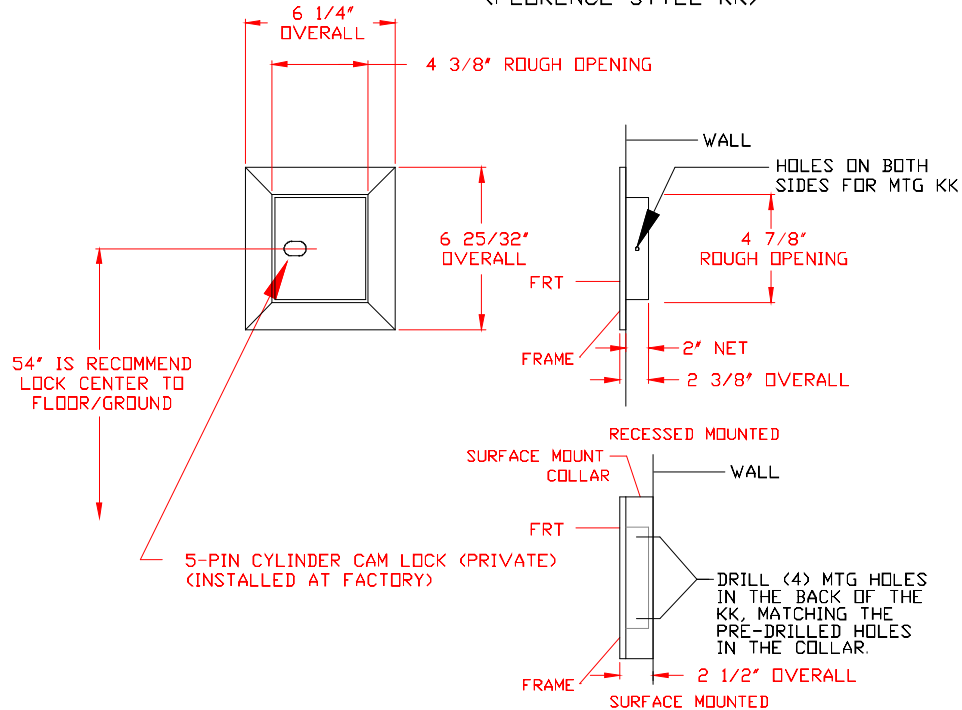


# AUTH-FLORENCE KEY KEEPER INSTALLATION CUT SHEET

## (FLORENCE STYLE KK)



### RECESS MOUNTED INSTALLATION NOTES:

1. CUT OPENING AT DESIRED LOCATION TO ROUGH OPENING DIMENSIONS AS SHOWN.
2. INSERT KEY KEEPER INTO OPENING
3. IF NECESSARY, DRILL STARTER HOLES INTO OPENING EDGE AT (2) SIDE MOUNTING HOLE LOCATIONS.
4. IF NECESSARY, REMOVE KEY KEEPER FROM OPENING AND INSTALL ANCHORS INTO MOUNTING HOLES.
5. MOUNT KEY KEEPER INTO OPENING USING #8 SCREWS PROVIDED.

### SURFACE MOUNTED INSTALLATION NOTES:

1. LOCATE SURFACE MOUNT COLLAR FROM THE REAR AND BEHIND THE KEY KEEPER FRAME.
2. DRILL (4) HOLES THROUGH KEY KEEPER BACK, MATCHING PRE-DRILLED HOLES LOCATED IN SURFACE MOUNT COLLAR (#8 SCREW)
3. LOCATE KEY KEEPER ON WALL, OPEN DOOR TO KEY KEEPER, MARK (4) HOLE LOCATIONS OF BACK OF KEY KEEPER ONTO WALL.
4. DRILL (4) STARTER HOLES WHERE MARKS WERE MADE ON WALL.
5. USING (4) #8 SCREWS, MOUNT KEY KEEPER TO WALL (PLACING SCREWS THRU OPEN DOOR OF KEY KEEPER).
6. NOTE: SOME CASES MAY REQUIRE ANCHORS IN WALL.

**AUTH FLORENCE**  
 MANUFACTURING COMPANY  
 5935 CORPORATE DRIVE  
 MANHATTAN KANSAS 66508