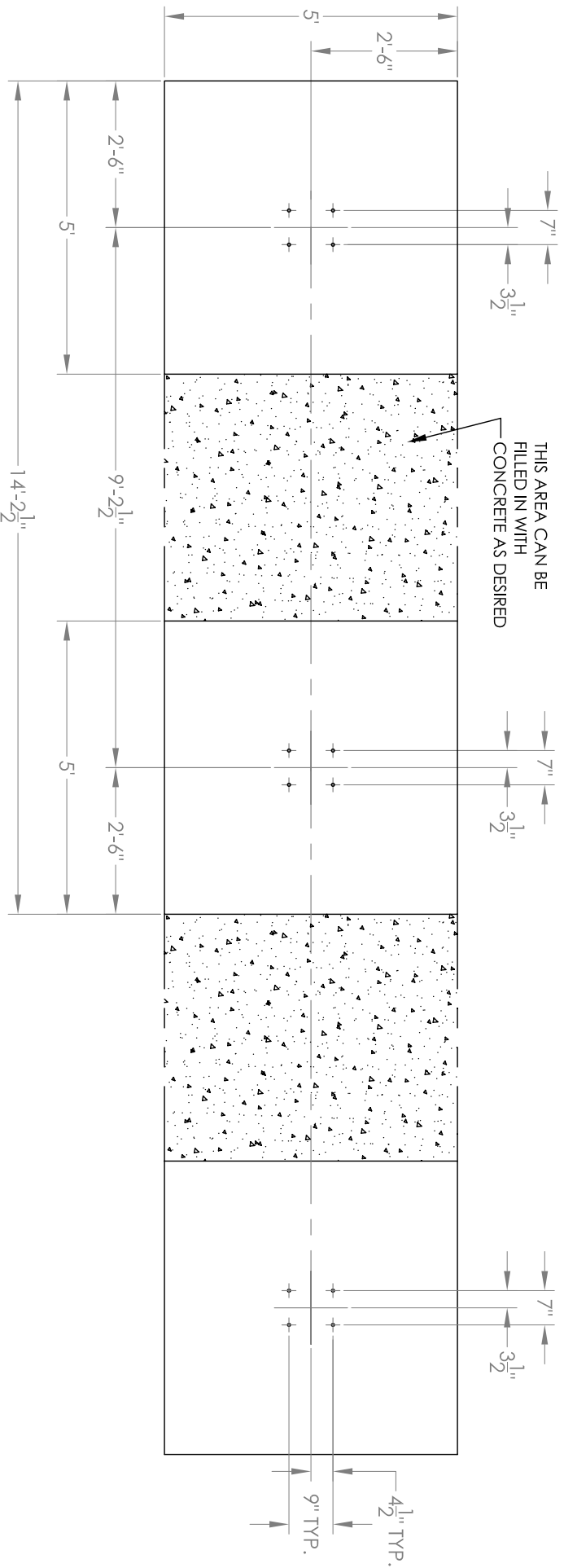


# Minimum Foundation Requirements -- Vario IV Standard, End to End

Pad dimensions below are for support of the Vario Mail Shelter only. Final pad dimensions should be designed in accordance with applicable local building codes to allow for proper accessibility.



PARTIAL FOUNDATION PLAN (90 MPH)

SCALE: 3/8" = 1'-0"

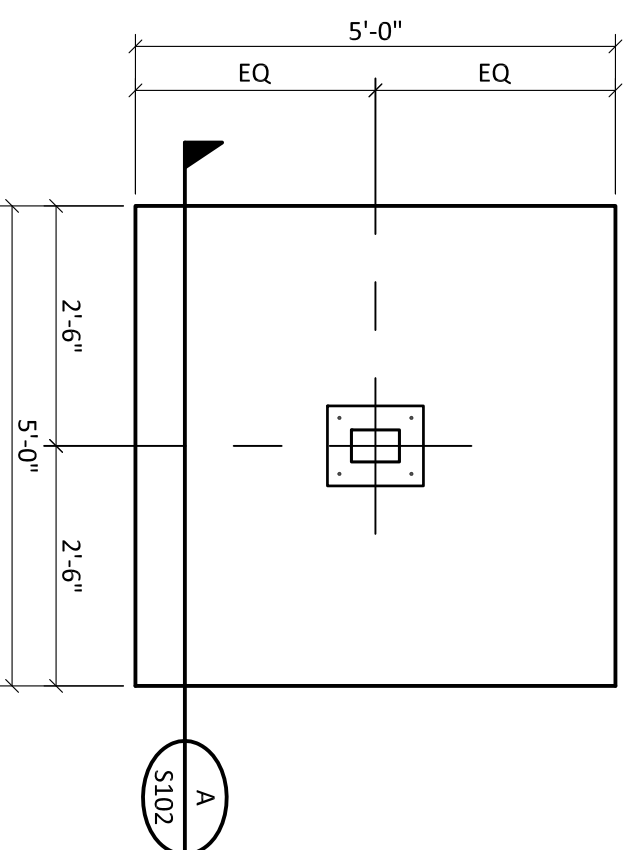
**NOTES:**

1. VERIFY FROST PROTECTION REQUIREMENTS W/ LOCAL JURISDICTION
2. THIS DESIGN IS INTENDED FOR THE SUPPORT OF THE VARIO LINE OF 4C CONFIGURABLE MAIL SHELTERS AS MANUFACTURED BY FLORENCE MANUFACTURING.
3. REINFORCING STEEL SHALL BE BILLET STEEL CONFORMING TO ASTM A615, GRADE 60.
4. ANCHOR BOLTS SHALL BE ASTM A36.
5. SEE FOUNDATION DOCUMENTS FOR DETAILS.

<p>DESCRIPTION: VARIO IV 4C CONFIGURABLE MAIL SHELTERS FOUNDATION PLAN STANDARD, END TO END (90 MPH)</p>	<p>SIZE: A SHEET: 1 OF 1</p>
<p>THIS DRAWING IS THE SOLE PROPERTY OF FLORENCE MANUFACTURING WHO CLAIMS PROPRIETARY RIGHTS IN THE MATERIAL DISCLOSED. IT IS ISSUED IN CONFIDENCE FOR ENGINEERING INFORMATION ONLY AND MAY NOT BE COPIED OR USED FOR INFORMATION OR MANUFACTURE OF ANYTHING SHOWN WITHOUT SPECIFIC PERMISSION FROM FLORENCE MANUFACTURING. 5935 CORPORATE DRIVE • MANHATTAN, KANSAS 66503 COPYRIGHT FLORENCE CORP 2007</p>	<p>DRAWING NUMBER: VAR4SFEE90</p>

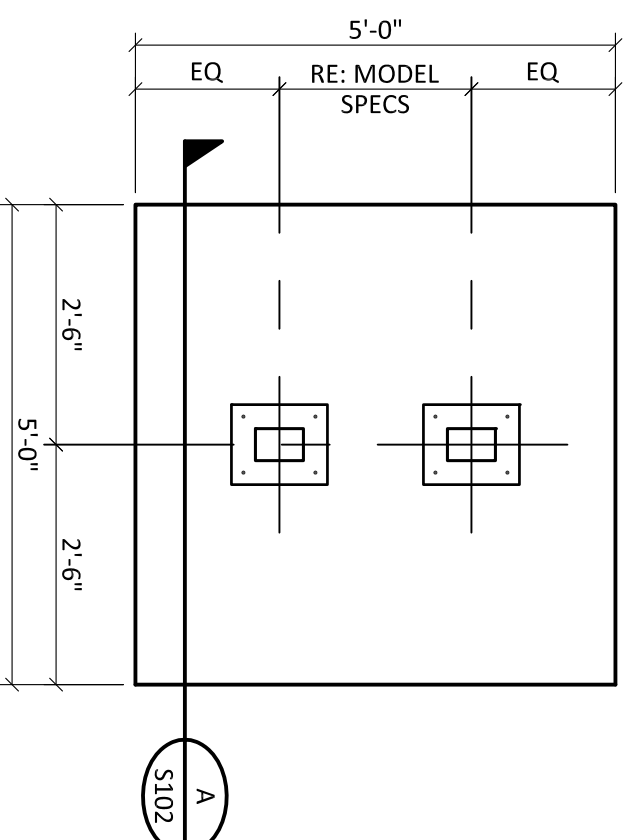
# 90mph Foundation Plan

(Applicable to all 90mph wind-rated vario™ models)



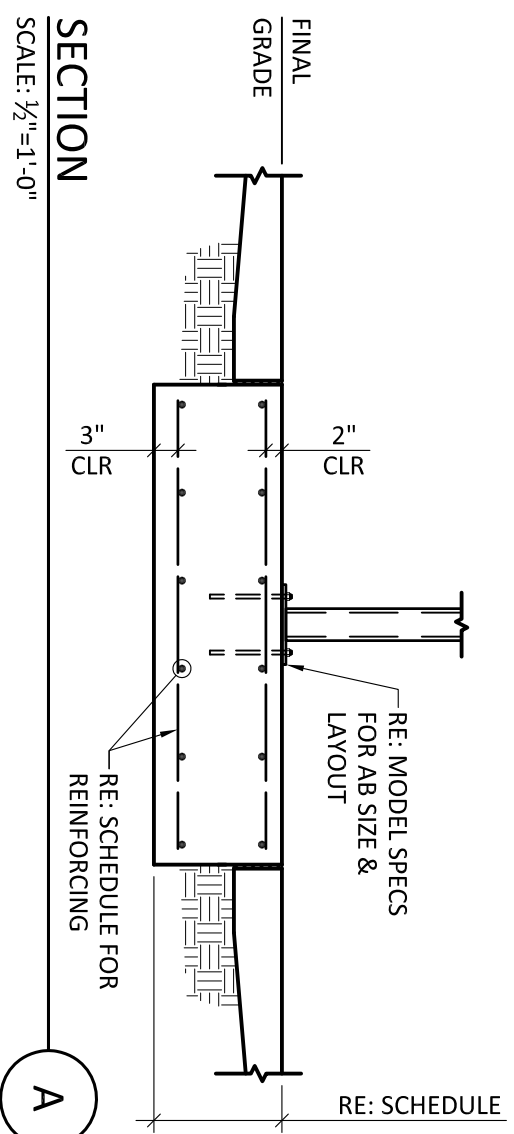
**FOUNDATION PLAN (90 MPH)  
SINGLE LEG CONFIGURATION**

SCALE: 1/2"=1'-0"



**FOUNDATION PLAN (90 MPH)  
DOUBLE LEG CONFIGURATION**

SCALE: 1/2"=1'-0"



**SECTION**

SCALE: 1/2"=1'-0"

IBC WIND EXPOSURE CATEGORY	FOUNDATION THICKNESS (in)*	FOUNDATION REINFORCING
B	6	#4@12" EW TOP
C	10	#4@10" EW TOP**
D	12	#4@12" EW T&B

**SCHEDULE OF FOUNDATION REQUIREMENTS**

\* verify frost protection requirements with local jurisdiction  
\*\* reinforcing shall be placed 3" clear from top of foundation

EW = EACH WAY  
T&B = TOP & BOTTOM

## STRUCTURAL NOTES:

THIS DESIGN INTENDED FOR THE SUPPORT OF THE VARIO LINE OF 4C CONFIGURABLE MAIL SHELTERS AS MANUFACTURED BY FLORENCE MANUFACTURING.

DESIGN IN ACCORDANCE WITH THE 2006 INTERNATIONAL BUILDING CODE (IBC). INSTALLER SHALL VERIFY LOCAL JURISDICTION FOR ADOPTIONS AND AMENDMENTS.

DESIGN WIND LOADS ARE BASED ON A BASIC WIND SPEED (3-SECOND GUST) OF 90 MPH. INSTALLER SHALL VERIFY DESIGN WIND REQUIREMENTS WITH LOCAL JURISDICTION. RE: SCHEDULE FOR FOUNDATION REQUIREMENTS BASED ON VARYING WIND EXPOSURE CLASSIFICATIONS.

FOUNDATION HAS BEEN DESIGNED FOR A NET ALLOWABLE SOIL BEARING PRESSURE OF 1,000 PSF.

FOUNDATIONS SHALL BEAR IN UNDISTURBED SOILS OR CONTROLLED STRUCTURAL FILL AS APPROVED BY A GEOTECHNICAL ENGINEER.

CONCRETE SHALL HAVE A MINIMUM COMPRESSIVE STRENGTH OF 4,000 PSI AT 28 DAYS UNLESS OTHERWISE SPECIFIED.

THE WATER/CEMENT RATIO SHALL NOT EXCEED .50 FOR ALL CONCRETE.

REINFORCING STEEL SHALL BE BILLET STEEL CONFORMING TO ASTM A615, GRADE 60.

ALL CONCRETE SHALL BE AIR ENTRAINED, 6%(±) BY VOLUME.

**FOR  
CONSTRUCTION**

THIS DOCUMENT IS RELEASED UNDER THE AUTHORITY OF CERTUS AE GROUP ON 08/10/07 FOR THE SOLE PURPOSE NAMED ABOVE.

**CERTUS**   
GROUP

117 SW 6th Avenue; Suite 201  
Topeka, Kansas 66603  
Phone: (785)291-0400

**VARIO 4C CONFIGURABLE  
MAIL SHELTERS**

FLORENCE MANUFACTURING

DESIGNED BY  
TRT

DRAWN BY  
GSH

APPROVED BY  
TRT

DATE  
Aug 10, 2007

SHEET NO.  
W.O.

**01070016**

**S102**