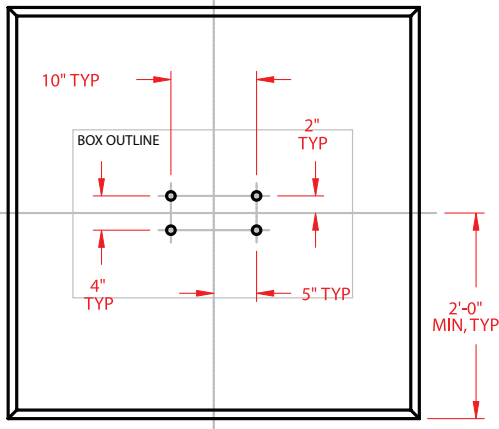
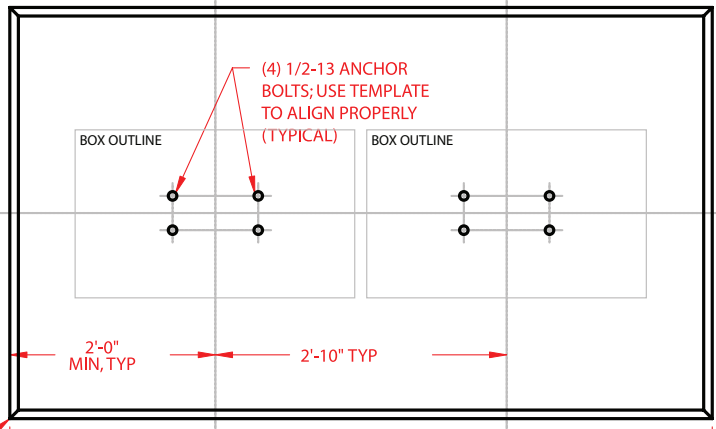


**SINGLE UNIT**



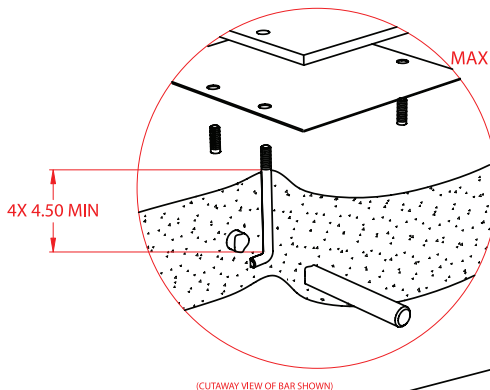
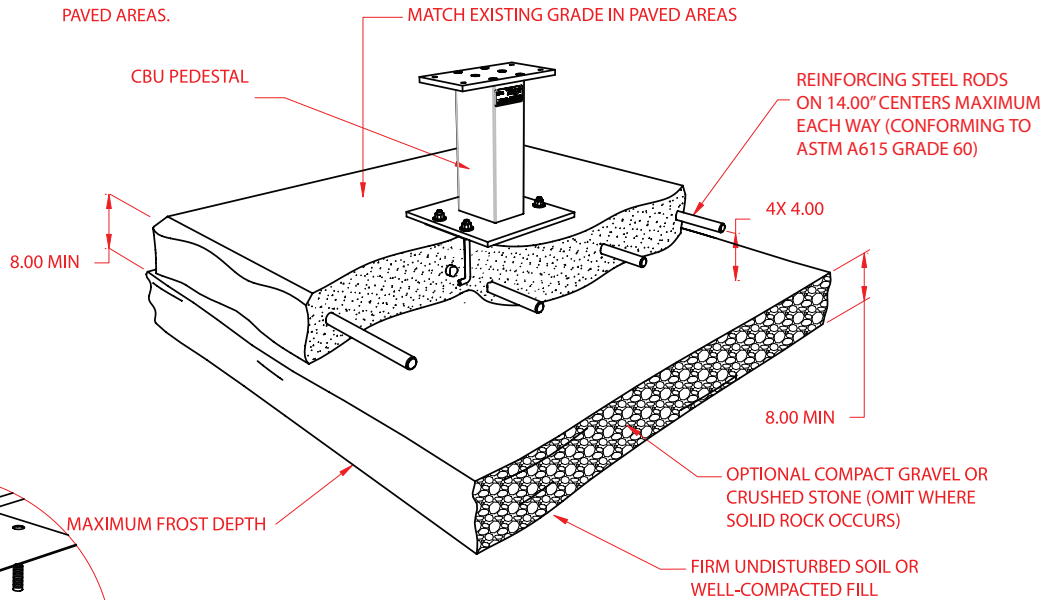
**MULTI-UNITS**



CHAMFER ALL EDGES IN LANDSCAPE AREAS. TOOL FLUSH WITH ADJOINING SURFACES IN PAVED AREAS.

ARRANGE MULTIPLE ANCHOR BOLT SETS AS REQUIRED; BASE NOT TO EXCEED 16'-0"

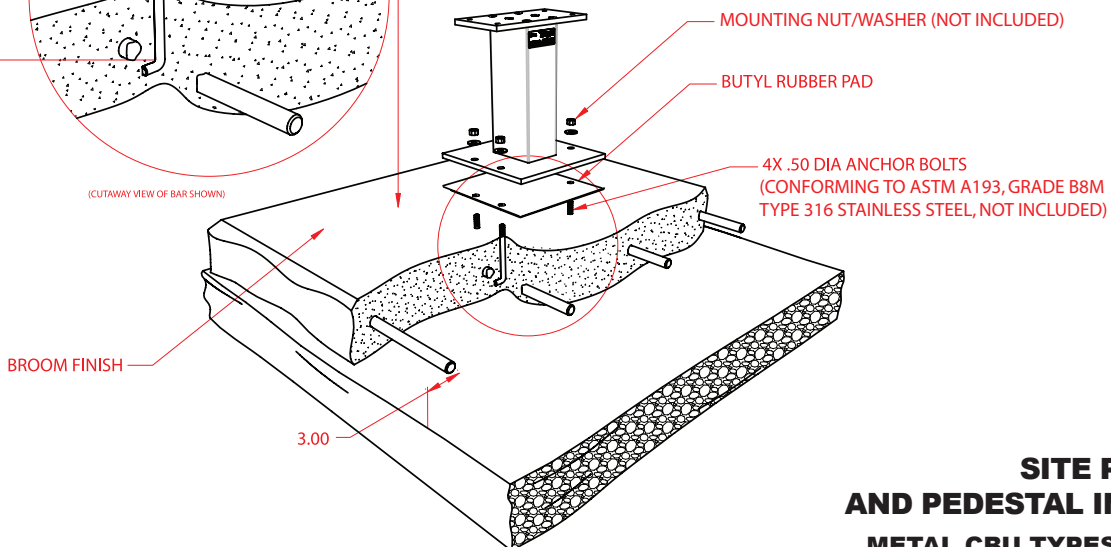
NOTE:  
CONCRETE SHALL HAVE A COMPRESSIVE STRENGTH OF 3000 PSI @ 28 DAYS, CONTAIN 4% MIN ~ 6% MAX AIR ENTRAPMENT AND BE PLACED WITH A 3.50 ~ 4.50 SLUMP IN ACCORDANCE TO 301.



(CUTAWAY VIEW OF BAR SHOWN)

SLOPE SURFACE 0.25 INCH PER FOOT ON ALL SIDES FOR DRAINAGE

FIRM UNDISTURBED SOIL OR WELL-COMPACTED FILL



**SITE PREPARATION AND PEDESTAL INSTALLATION  
METAL CBU TYPES I, II, III, AND IV  
1570 "F" SERIES**