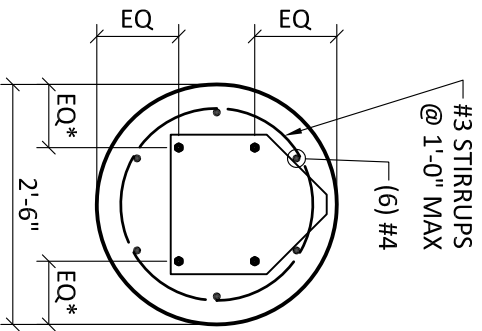
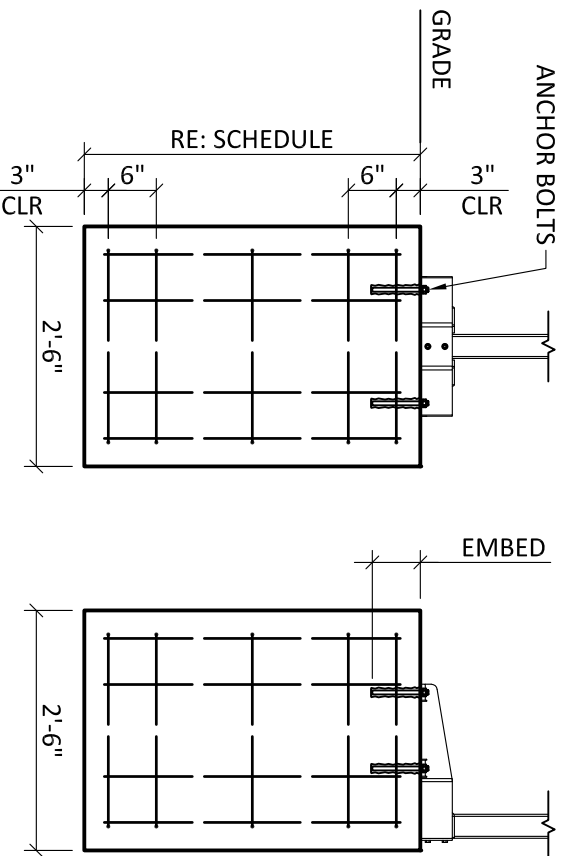


# sentinel™ solar site lite Pier Foundation Installation (Surface Mount)



**PLAN**  
SCALE: NONE



**SECTION**  
SCALE: NONE

EQ - EQUAL  
CLR - CLEAR  
MIN - MINIMUM

PIER FOUNDATION			
IBC Basic Wind Speed	IBC Wind Exposure Category	Min Allowable Lateral Soil Bearing Capacity	Required Depth
90 mph	B	200 pcf	3'-0"
	C or D	100 pcf	3'-6"
	B	200 pcf	3'-0"
	C or D	100 pcf	3'-9"
150 mph	B	400 pcf	3'-0"
	C	200 pcf	3'-3"
	B	100 pcf	4'-0"
	D	100 pcf	4'-6"

**STRUCTURAL NOTES:**

- THIS DESIGN INTENDED FOR THE SUPPORT OF THE SOLAR LIGHT ASSEMBLY AS MANUFACTURED BY FLORENCE MANUFACTURING.
- DESIGN IN ACCORDANCE WITH THE 2006 INTERNATIONAL BUILDING CODE (IBC). INSTALLER SHALL VERIFY LOCAL JURISDICTION FOR ADOPTIONS AND AMENDMENTS.
- DESIGN WIND LOADS ARE BASED ON A BASIC WIND SPEED (3-SECOND GUST) OF 90 MPH & 150 MPH. RE: SCHEDULE FOR FOUNDATION REQUIREMENTS BASED ON VARYING WIND SPEED & EXPOSURE CLASSIFICATIONS. INSTALLER SHALL VERIFY DESIGN WIND REQUIREMENTS WITH LOCAL JURISDICTION.
- FOUNDATION HAS BEEN DESIGNED FOR A MINIMUM NET ALLOWABLE SOIL BEARING PRESSURE OF 1,500 PSF.
- FOUNDATIONS SHALL BEAR IN UNDISTURBED SOILS OR CONTROLLED STRUCTURAL FILL AS APPROVED BY A GEOTECHNICAL ENGINEER.
- VERIFY FROST PROTECTION REQUIREMENTS WITH LOCAL JURISDICTION.
- CONCRETE SHALL HAVE A MINIMUM COMPRESSIVE STRENGTH OF 4,000 PSI AT 28 DAYS UNLESS OTHERWISE SPECIFIED.
- THE WATER/CEMENT RATIO SHALL NOT EXCEED .50 FOR ALL CONCRETE.
- REINFORCING STEEL SHALL BE BILLET STEEL CONFORMING TO ASTM A615, GRADE 60.
- ALL CONCRETE SHALL BE AIR ENTRAINED, 6%(±) BY VOLUME.
- ANCHOR BOLTS SHALL BE HILTI HIT-TZ/HY 150 MAX ADHESIVE, HDA UNDERCUT, OR HSL OR HSL-3 HEAVY DUTY SLEEVE ANCHORS (OR APPROVED EQUIVALENT) AND SHALL BE INSTALLED PER MANUFACTURER'S RECOMMENDATIONS.



117 SW 6th Avenue; Suite 201  
Topeka, Kansas 66603  
Phone: (785)291-0400

## sentinel™ PIER FOUNDATION INSTALLATION (SURFACE MOUNT)

FLORENCE MANUFACTURING

DESIGNED BY  
AMS

DRAWN BY  
AMS

APPROVED BY  
TRT

DATE  
11/08/07

SHEET NO.

W.O. **01070065**

**S1.2**