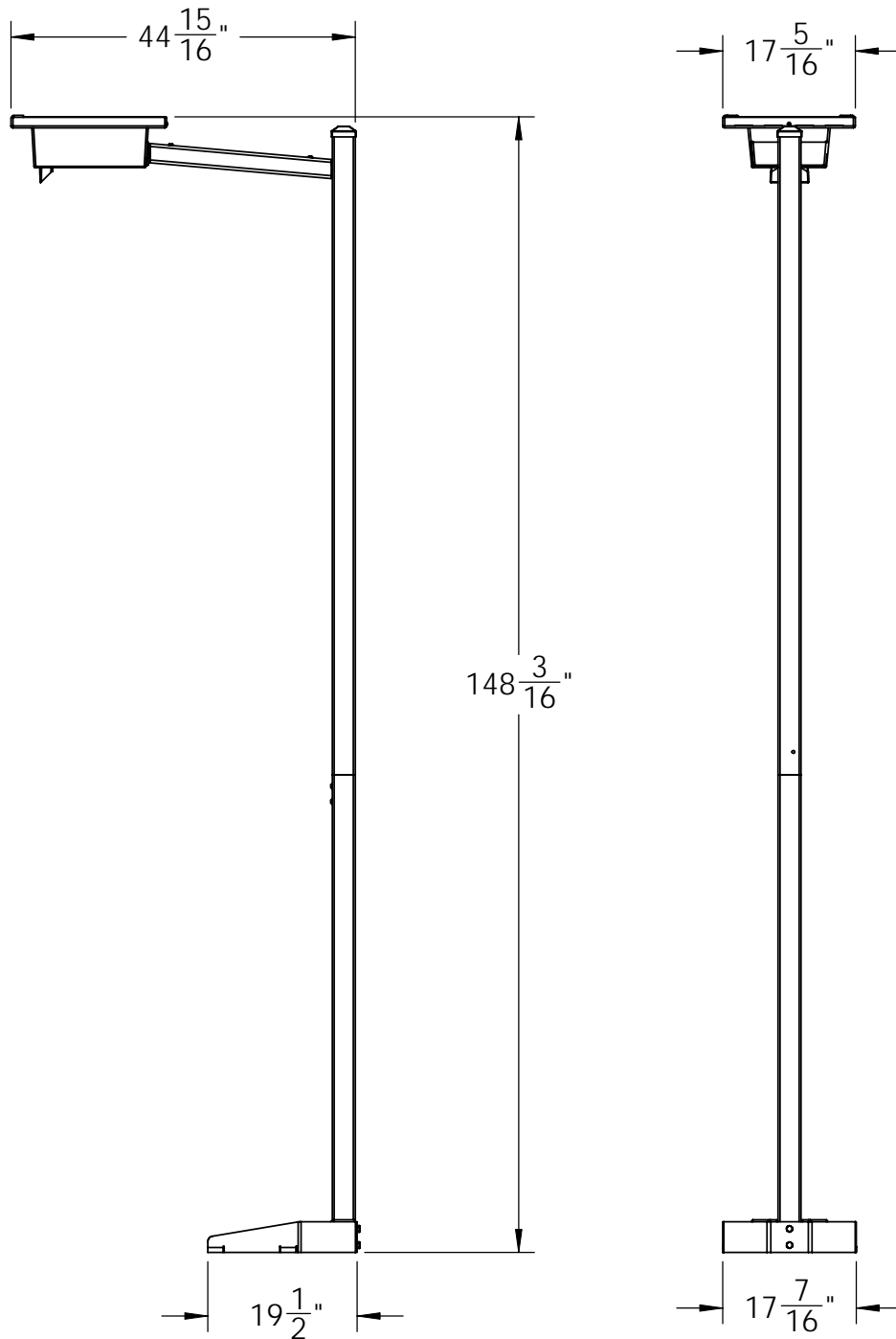



**sentinel™ solar site lite**  
 surface mount 2' riser



- NOTES:
1. REFER TO PAD SPEC S1.2 AND LOCAL BUILDING CODES.
  2. SEE PRODUCT SPEC SHEET FOR FEATURES.

PRODUCT SERIES: Solar Site Lite		
 5935 CORPORATE DRIVE, MANHATTAN, KANSAS 66503 www.auth-florence.com (800) 275-1747	MODEL: sentinel	REV:
	SCALE: <b>1:24</b>	DATE DRAWN: <b>9/19/2007</b>
	DRAWING NUMBER: <b>SOLITESM2CS</b>	DRAWN BY: OSW
	SHEET: <b>1 OF 1</b>	